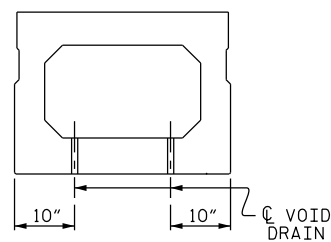


SECTION D-D

SECTION A-A  
VOIDS NOT SHOWN

DOUBLE DIAPHRAGM DETAILS

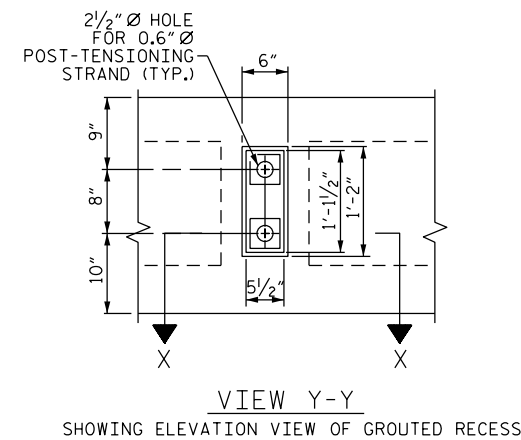
\*4 "S" BARS NOT SHOWN. \*4 "S" BARS MAY BE SHIFTED SLIGHTLY TO CLEAR 2 1/2" Ø HOLE.



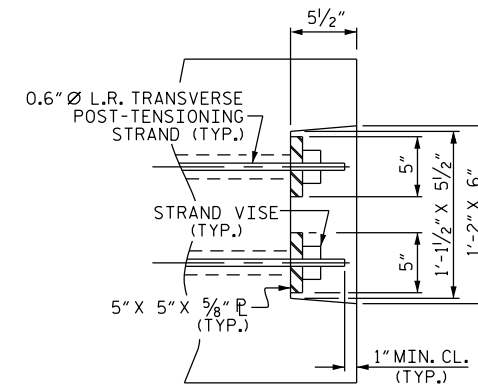
SECTION B-B

VOID DRAIN DETAILS

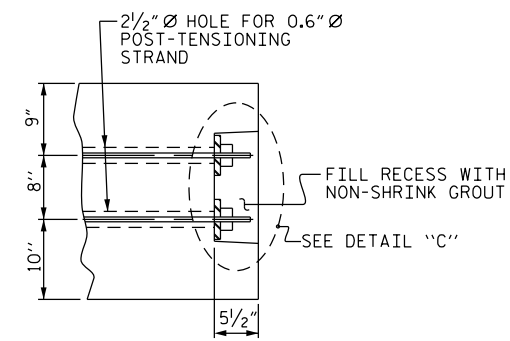
(DIMENSIONS SHOWN ARE TYPICAL FOR EACH VOID)



VIEW Y-Y  
SHOWING ELEVATION VIEW OF GROUTED RECESS



DETAIL "C"



PART SECTION AT RECESS

SHOWING PLAN VIEW OF GROUTED RECESS

GROUTED RECESS DETAIL AT  
END OF POST-TENSIONED STRANDS  
OF EXTERIOR BOX BEAM

DEAD LOAD DEFLECTION AND CAMBER			
	3'-0" x 2'-3"		
	0.6" Ø L.R. STRAND		
	SPAN "A"	SPAN "B"	SPAN "C"
CAMBER (BEAM ALONE IN PLACE)			
DEFLECTION DUE TO CONCRETE WEARING SURFACE			
FINAL CAMBER			

PROJECT NO. \_\_\_\_\_

\_\_\_\_\_ COUNTY

STATION: \_\_\_\_\_

SHEET \_ OF \_

STATE OF NORTH CAROLINA  
DEPARTMENT OF TRANSPORTATION  
RALEIGH  
STANDARD  
3'-0" X 2'-3"  
PRESTRESSED CONCRETE  
BOX BEAM UNIT

ASSEMBLED BY :	DATE :
CHECKED BY :	DATE :
DRAWN BY : TLA 5/05	ADDED 7/11/05
CHECKED BY : GM 6/05	REV. 5/1/06
	REV. 10/1/11
	TLA/GM
	MAA/GM

DOCUMENT NOT CONSIDERED  
FINAL UNLESS ALL  
SIGNATURES COMPLETED

REVISIONS						SHEET NO.
NO.	BY:	DATE:	NO.	BY:	DATE:	TOTAL SHEETS
1			3			
2			4			

STD. NO. PCBB3